

Picomotor™ Motorized Optical Mounts



- Compact design
- 0.7- μ rad resolution
- Integrated solutions

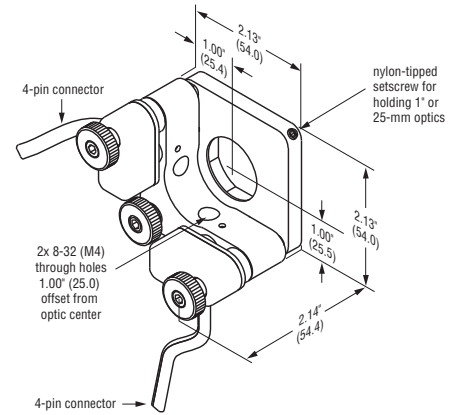
Left to right: Models 8809, 8853 and 8807

Our Model 88XX motorized optical mounts combine the precision of our standard mounts with the resolution of our Picomotor actuators to provide the ultimate in precision motorized optical alignment. The compact Picomotor actuator housing adds only 0.75" (19.1 mm) to the overall thickness of these mounts.

For an affordable solution for motorized tip and tilt alignment, use the Model 8807 motorized version of our popular 1" center mount. Unlike our other motorized mounts, this mount has Picomotor actuators on just two of its three adjustment axes.

Model	8806	8808	8807	8809	8812	8852	8853	8854
Optic Diameter [in. (mm)]	Blank	0.5 (12.7)	1.0 (25.4)	1.0 (25.4)	1.0 (25.4)	2.0 (50.8)	2.0 (50.8)	1.0-2.0 (25.4-50.8)
Motorized Axes	3	3	2	3	3	3	3	3
Connector Type	4-Pin	6-Pin	4-Pin	6-Pin	6-Pin	6-Pin	6-Pin	6-Pin
Type	Blank Plate Mount-	Corner Mount	Center Mount	Corner Mount	Gimbal Mount	Corner Mount	Gimbal Mount	Opti-Claw Mount
Angular Range (°)	±4							
Resolution- Angular (μ rad)	0.7							
Cable Length [ft. (m)]	7 (2.1)							
Operating Temperature Range (°C)	10-40							
Thread Type	8-32 (M4) Thru							

Model 8807



U.S. Patent #5,410,206